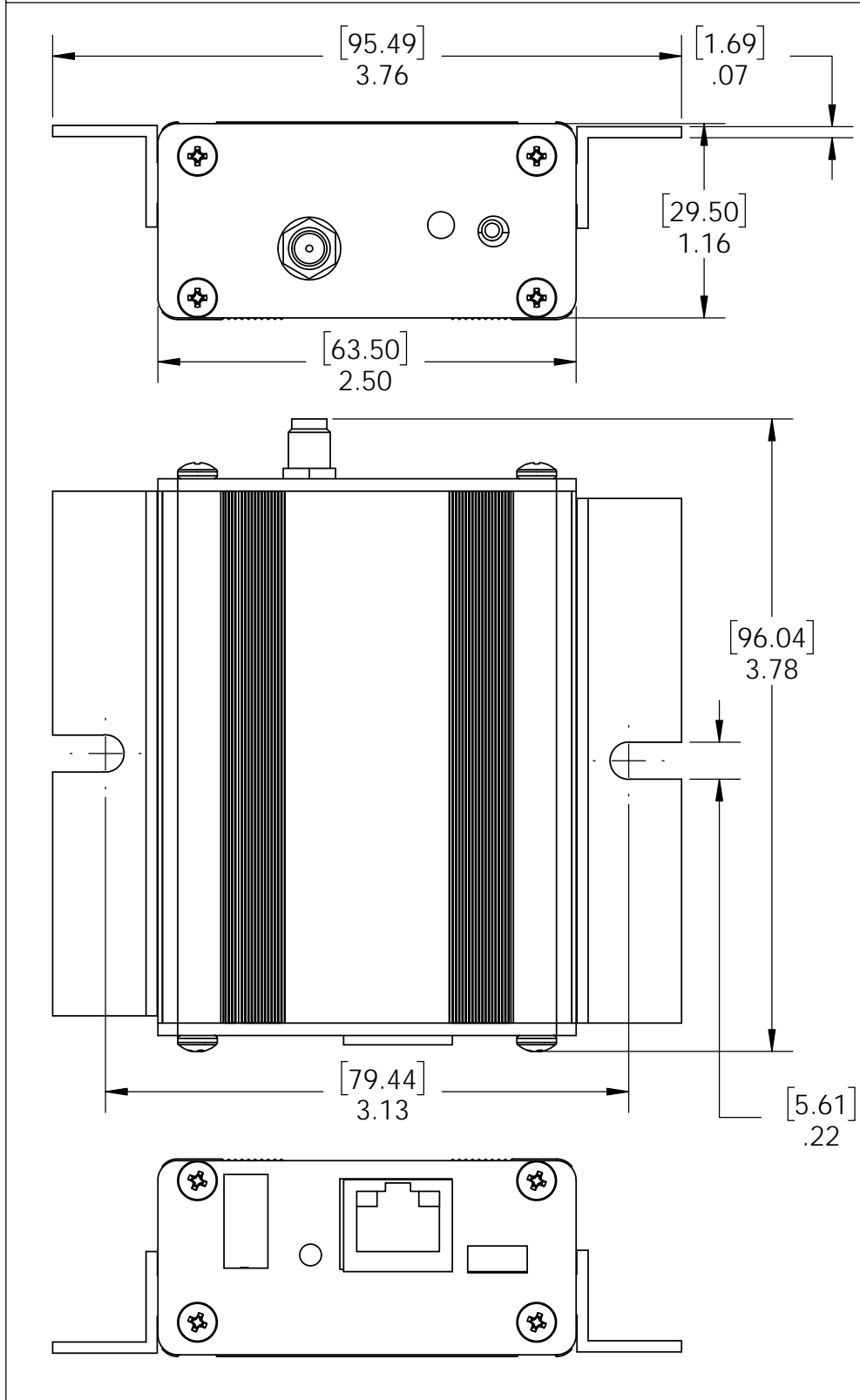


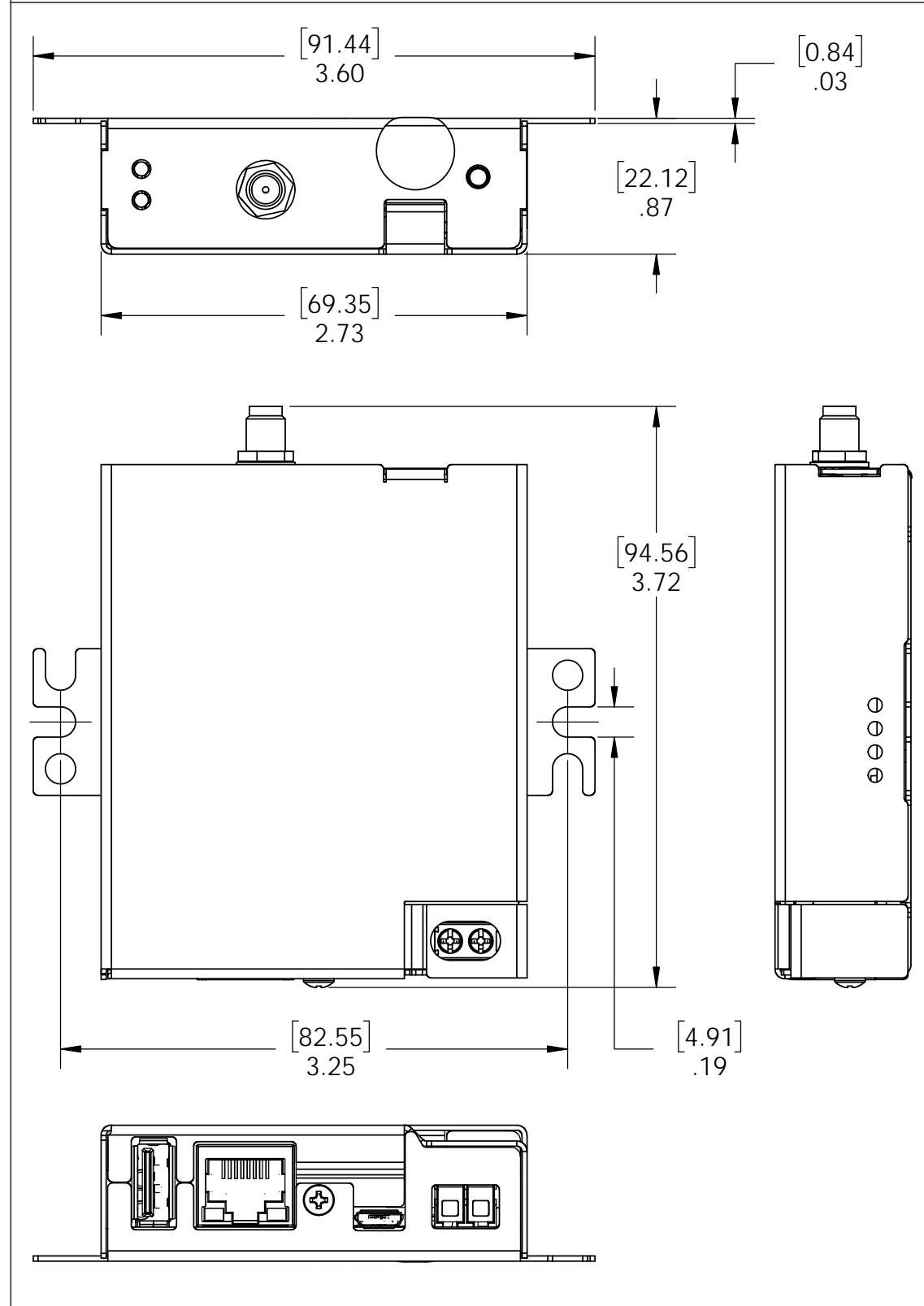
NOTES:
 1. THIS DRAWING ILLUSTRATES THE SIZE DIFFERENCES BETWEEN THE E10 AND THE E12. BOTH VIEWS ARE AT THE SAME SCALE. DIMENSIONS SUBJECT TO CHANGE WITHOUT NOTICE. FOR REFERENCE USE ONLY. 3D CAD STEP FILES AVAILABLE.

REVISIONS				
ZONE	REV.	CHANGE DESCRIPTION	APPROVED	DATE
ALL	A000	INITIAL RELEASE	EMJ	10/18/16

E10, ALUMINUM ALLOY ENC. APPROX. WEIGHT: 183 GRAMS



E12, STEEL ENC. APPROX. WEIGHT: 176 GRAMS



DO NOT SCALE DRAWING

<p>THIRD ANGLE PROJECTION</p>		<p>SYNAPSE WIRELESS INC. 6723 ODYSSEY DR HUNTSVILLE, AL 35806</p>	
<p>UNLESS OTHERWISE SPECIFIED: DIMENSIONS ARE IN INCHES [MM] TOLERANCES: ANGULAR: MACH ±1° BEND ±3° TWO PLACE DECIMAL ±.01 THREE PLACE DECIMAL ±.005</p>			
<p>PROPRIETARY AND CONFIDENTIAL THE INFORMATION CONTAINED IN THIS DRAWING IS THE SOLE PROPERTY OF SYNAPSE WIRELESS, INC. ANY REPRODUCTION IN PART OR AS A WHOLE WITHOUT THE WRITTEN PERMISSION OF SYNAPSE WIRELESS, INC IS PROHIBITED.</p>			
<p>TITLE: E12, E10, MIGRATION MECH REFERENCE</p>		<p>SIZE B</p>	<p>DWG. NO. 120-034042-000</p>
<p>ENGR: EMJ</p>		<p>REV A000</p>	<p>SHEET 1 OF 1</p>